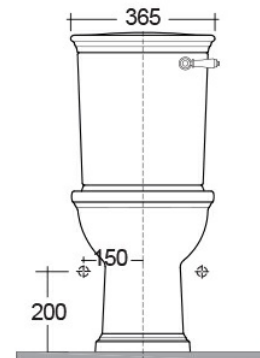
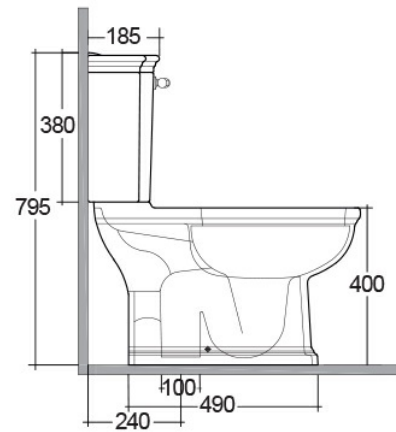
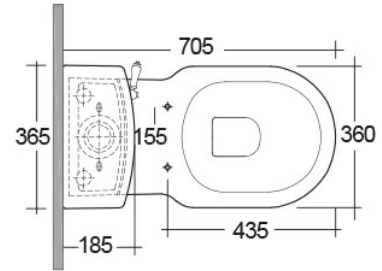


RAK-WASHINGTON - WT03AWHA - WITH LEVER

RAK
CERAMICS

Syphonic | Close Coupled | Water Closet



Technical specifications

Dimensions: 740 x 445 mm

Weight: 34 Kg

Color: Alpine White

Trap type: S Trap

Trapway type: S trap

Seat cover options: PP

Bowl shape: Oval

Suites: [RAK-WASHINGTON](#)

Code Name

WASPAN WASHINGTON WATER CLOSET CLOSE COUPLED S-TRAP 70CM

WT22AWHA WATER TANK WITH FRONT LIVER

Dimensions: All dimensions in mm tolerance $\pm 5\%$ for below 200mm and $\pm 3\%$ for above 200mm.

Note: Due to a continuing development programme to improve design and performance, the manufacturer reserves all rights to vary specifications without prior information.

Please note accessories are for photographic use only.