

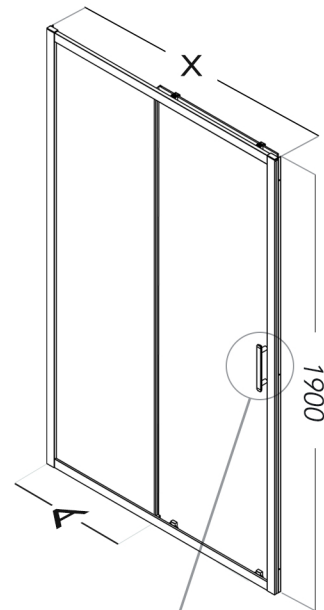
SLIDER DOOR



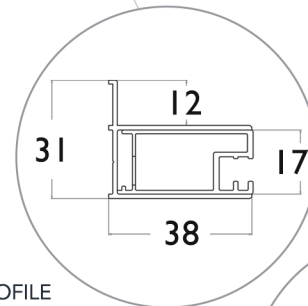
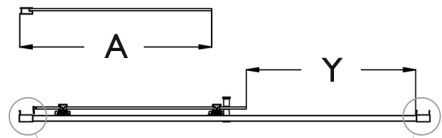
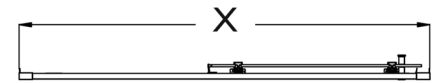
- EN 14428:2015+A1:2018 (shower enclosures)
- EN 12150-1:2013 (glass in building)
- EN ISO7599 (anodizing of aluminium and its alloys)
- 6mm Toughened Safety Glass

- 1900mm Height
- Solid Chrome Handle
- 50mm Adjustment
- Chrome Cover Caps

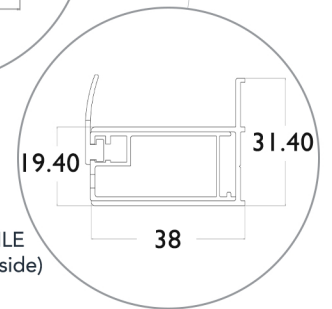
- Reversible
- Quick Release Chrome Double Wheel Rollers
- ClearVue Glass Coating
- 20 Year Guarantee Against Manufacturing Defects*



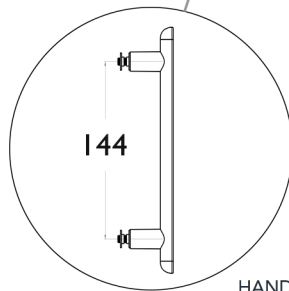
(MEASUREMENTS IN MM)



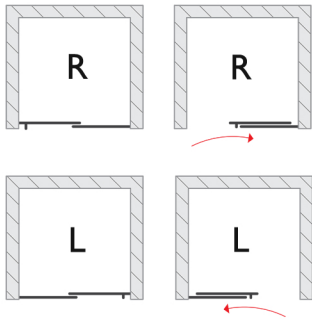
PROFILE (opposite handle side)



PROFILE (handle side)



HANDLE



SPECIFICATIONS

PRODUCT SIZE	ADJUSTMENT X (min - max)	DOOR ACCESS Y	GLASS PANEL A	PRODUCT WEIGHT	PRODUCT CODE	
					SILVER	BLACK
1000mm	950 - 1000mm	375mm	438mm	32.00kg	VSA100SC	VSA100BC
1100mm	1050 - 1100mm	425mm	488mm	35.50kg	VSA110SC	VSA110BC
1200mm	1150 - 1200mm	475mm	538mm	39.00kg	VSA120SC	VSA120BC
1300mm	1250 - 1300mm	525mm	587mm	45.00kg	VSA130SC	VSA130BC
1400mm	1350 - 1400mm	575mm	637mm	49.00kg	VSA140SC	VSA140BC
1500mm	1450 - 1500mm	575mm	737mm	52.00kg	VSA150SC	N/A
1600mm	1550 - 1600mm	575mm	837mm	55.00kg	VSA160SC	VSA160BC
1700mm	1650 - 1700mm	575mm	937mm	59.00kg	VSA170SC	VSA170BC
1800mm	1750 - 1800mm	575mm	1037mm	62.00kg	VSA180SC	N/A

+353 42 966 8000 | flairshowers.com | sales@flairshowers.com

All data presented may be subjected to change without prior notice. Flair Showers does the best it can to provide accurate information. Flair Showers unfortunately cannot guarantee this, and accept no liability for any information / advice given.

* Excludes perishable items such as rollers, seals, hinges, etc.

