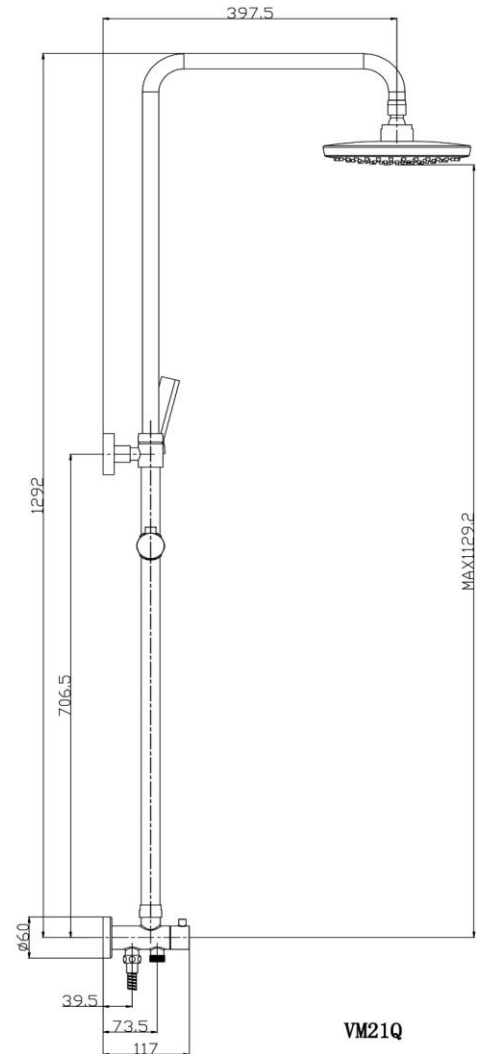
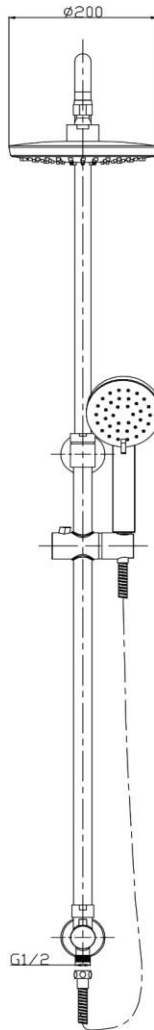


TECHNICAL DATA SHEET

VM21Q Shower Slider Rail Kit

Barcode	0729557184949
Product Code	VM21Q
Construction	Brass Body (CuZn38Pb18)
Finishes	Chrome plated to BS EN 248
Product Type	Contemporary
Water Pressure	Min. 0.5 bar, Max. 6.0 bar
Plumbing Systems	Suitable for all plumbing systems, preferably balanced. Min. supply pressure differential requirement is 5:1
Standards	Complies with BSEN 1111
Certification	-
Cartridge	1/4 Turn 1/2" Ceramic Disc Divertor Cartridge
Fitting	3/4" BSP
Packaging	92 x 40 x 68cm / carton (5 boxes), Dimension: 90 x 66 x 8cm / box; Weight: 4.2Kg / box
Guarantee	10 years against manufacturing faults (excluding serviceable parts)
Additional Information	<ol style="list-style-type: none"> 1. Shower head : Chrome , Ø200mm, ABS 2. Shower handset : Chrome , ABS, 3 mode 3. Shower hose : Stainless steel , 1.5m & 1.0m 4. Stainless steel adjustable riser rail



Flow Rates (Litres per minute)

System Pressure	0.1 Bar	0.2 Bar	0.3 Bar	0.5 Bar	1.0 Bar	1.5 Bar	2.0 Bar	3.0 Bar	4.0 Bar	5.0 Bar
VM21Q	2.5	4.2	5.7	7.9	11.5	13.9	16.1	19.9	23.1	26.0

The information contained on this page was correct at date of issue. Fitting dimensions are provided as a guide only. Some variation may occur due to manufacturing tolerances. We pursue a policy of continuing improvement in design and performance of our products and so reserve the right to change specifications without prior notice.