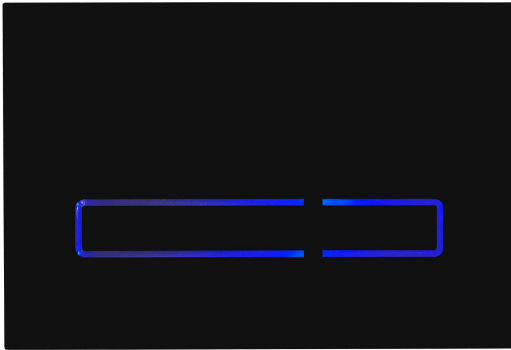


Technical Data Sheet

Sensor Flush Plate - TR9016

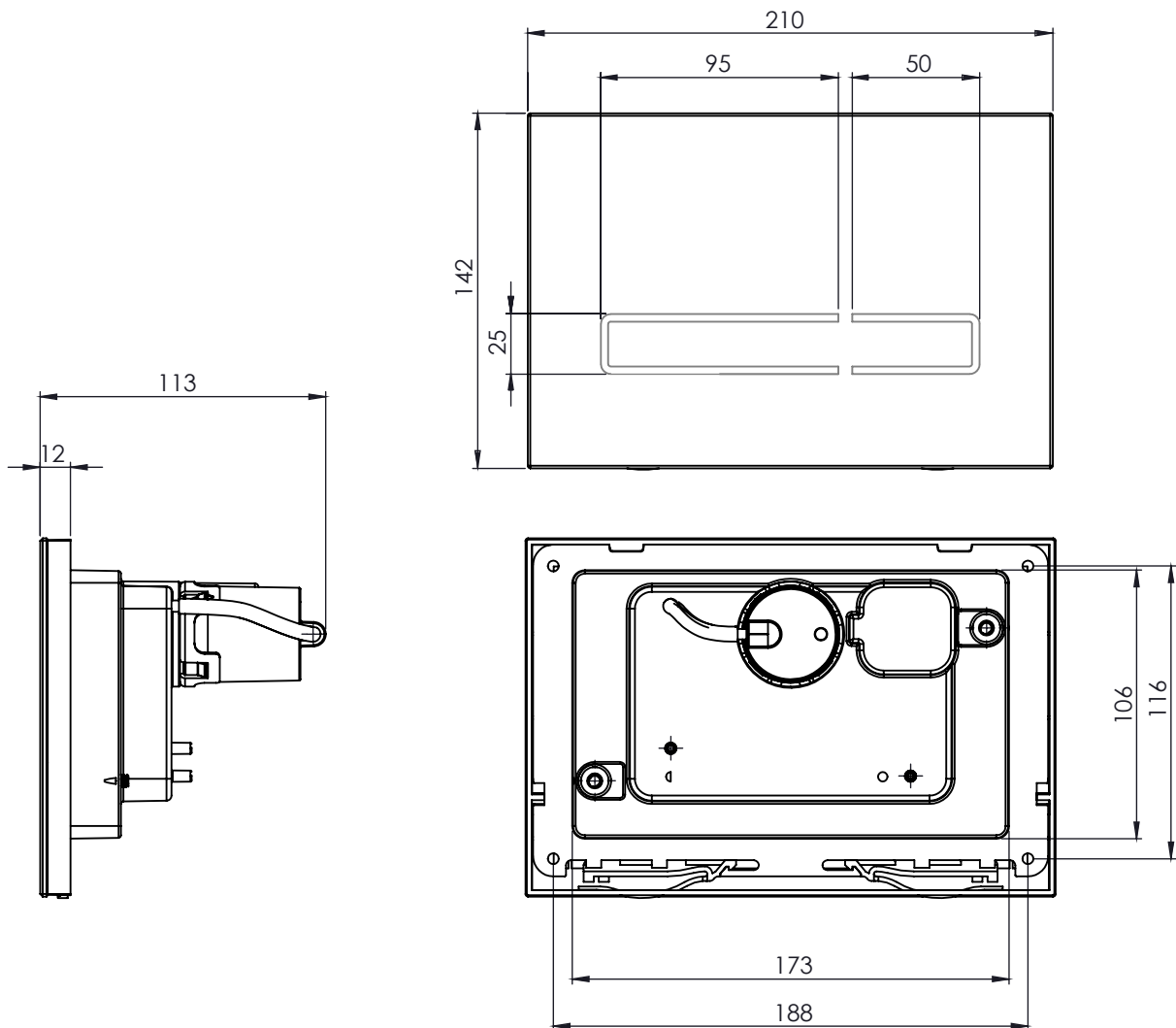
TAVISTOCK
inspiring bathrooms

No.	Description	Code	Fixings Included
1	Sensor Flush Plate	TR9016	YES



Dimensions - TR9016

Diagrams not to scale. All dimensions in mm (tolerance of +/-1mm)



FAQs

What batteries are used?

4x AA Batteries (LR6). Always use good quality Alkaline batteries.

The sensor is not working?

Check that 100% new batteries are inserted into the battery compartment. Always use good quality Alkaline batteries (eg Duracell). Note that batteries purchased from cheaper sources (i.e. Poundland) will have a significantly shorter life.

I've checked the batteries – the cistern is still not flushing?

Make sure that the hoses are connected properly so that full moon labelled connector on the sensor body connects to full moon connector on the cistern, and likewise half moon to half moon. Also check that the hoses are not kinked or pinched once the fascia or worktop is installed. Ensure that the battery compartment is correctly aligned so that the spring contacts align with the terminals on the top of the battery pack.

How do I access the unit to change the batteries?

The front glass fascia panel can be pushed up from the bottom to un-clip. This will then reveal the battery compartment.

Still not flushing?

Please check the FAQs related to the cistern/frame that is installed. The issue may be with the installation of the cistern itself.

How do I get the sensor to make a full flush?

Touch your hand over the larger LED section for a short while (1-2s). Then the LED will illuminate and the cistern will flush. You will need to touch with at least 3 fingers to make a conscious signal to the sensor. If you make a quick dab at the sensor with one finger, then it will not flush. This is correct as the system is designed to prevent inadvertent flushing – for example when the seat is put in the upright position before using the WC.

How do I get the sensor to make a reduced flush?

Touch your hand over the smaller LED section on the right hand side for a short while (1-2s). Then the LED will illuminate and the cistern will flush. You will need to touch with at least 3 fingers to make a conscious signal to the sensor. If you make a quick dab at the sensor with one finger, then it will not flush. This is correct as the system is designed to prevent inadvertent flushing – for example when the seat is put in the upright position before using the WC.

How will I know that the batteries are running low?

When the battery voltage drops to 4.8V, a low voltage alarm will sound for 10 seconds and the LEDs will flash 10 times to indicate that batteries need replacing. The sensor flush will continue to operate. Once the voltage of the batteries is reduced to 4.5V, an alarm will sound every two seconds and the LED light flashes twice per second (until run out). However, the sensor flush plate will not work normally. If batteries have not been replaced, the manual flush can be utilised by removing the front glass panel (see How do I access the unit to change the batteries?)

What is the expected battery life?

In normal domestic operating conditions, it is anticipated that the batteries will last approximately one year. However this can depend on many factors such as quality of batteries used, amount of people living in the dwelling, and if they use multiple flushes at each visit to the WC.

Is the sensor water proof?

Whilst it is splash proof, it is not designed to be submersible due to the fact that it needs to take in air to operate the pneumatic cistern.

What are the power / voltage specifications?

Power: 3W
Voltage: 6V

How do I fix the flush plate to the frame?

Use the fixing components supplied.

Can I use the sensor flush plate on furniture with a standard concealed cistern?

Yes, but only on standard depth furniture. On slim depth furniture, the flush plate body depth would be prohibitive, so use the CSFK sensor kit, instead.

Spares

