

# Technical Data Sheet

## Shower Systems

# TAVISTOCK

No.	Description	Code	Fixings Included
1	Axiom Single Function Smartflow System	SAX2341	YES

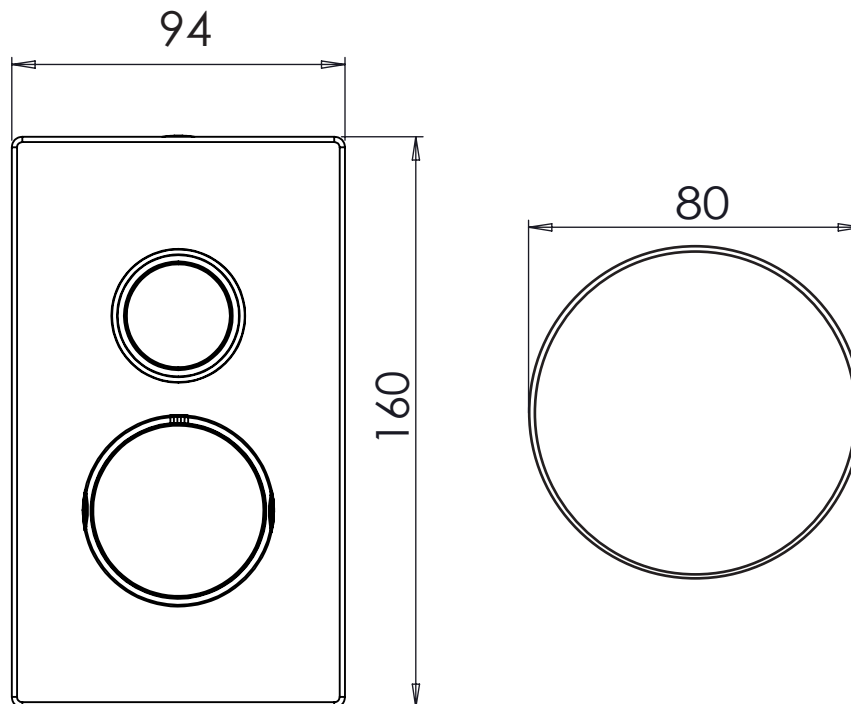


Inlet Pressure	Flow Rate (l/min)
0.5bar	7.2
1bar	10.6
2bar	14.5
3bar	17.6
4bar	20.2
5bar	22.1

Flow from valve may vary depending on accessories and domestic supply.

## Dimensions - Overview

Diagrams not to scale. All dimensions in mm (tolerance of +/-5mm)



## FAQs

**What is the minimum pressure for the valve?** 1.0bar

**What is the valve connection size?** 1/2" suitable for 15mm pipework

# Technical Data Sheet

## Axiom Push Button Shower

# TAVISTOCK

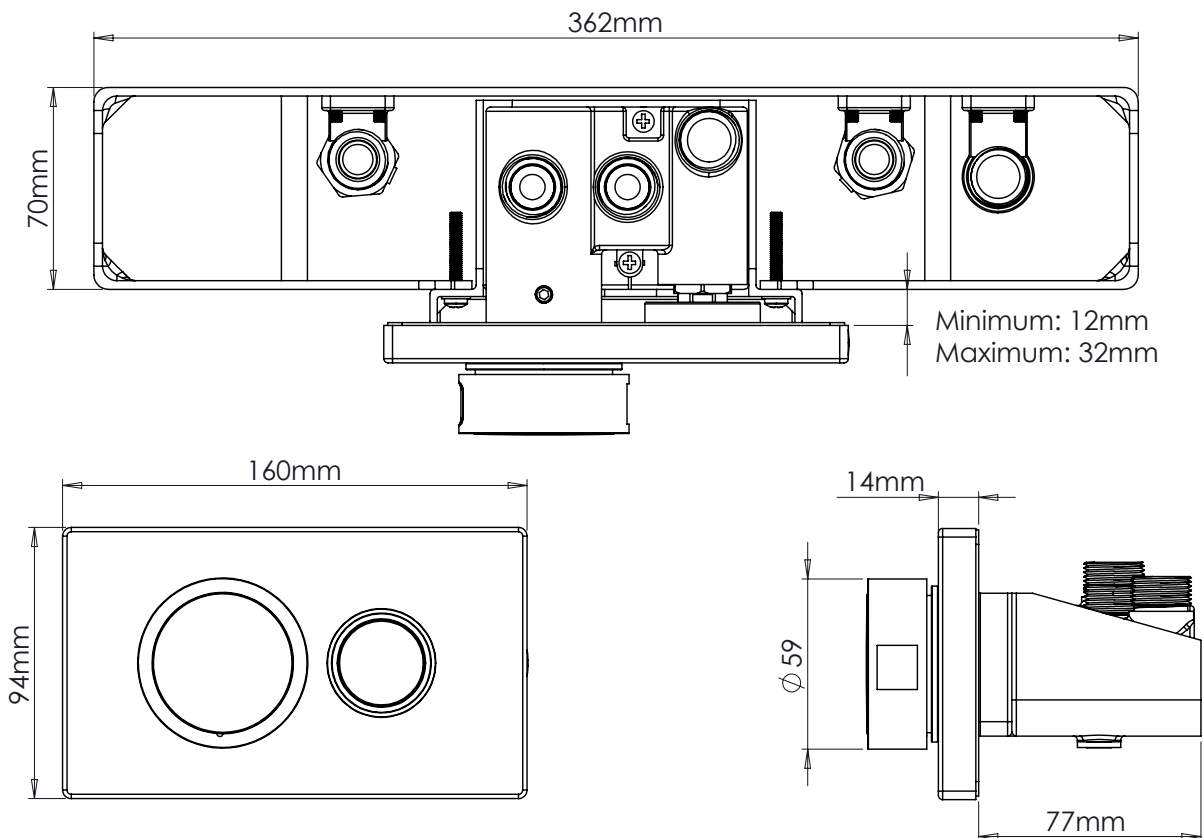
No.	Description	Code	Fixings Included
1	Axiom Single Push Button Shower Valve	N/A	YES

Whats in the box?	Material
Cover Plate and controls	Chrome Plated Zinc
Valve	(Body) Brass
Flexible Hoses	PVC
Installation Frame	Zinc Plated Steel

Inlet Pressure	Flow Rate (l/min)
0.5	7.2
1Bar	10.6
2Bar	14.5
3Bar	17.6
4Bar	20.2

### Dimensions

Diagrams not to scale. All dimensions in mm.



\*Dimensions are subject to change, customers are advised to measure actual product before commencing installation.

### FAQs

**How do I control the shower water flow?** Push the button to turn the outlet on and off

**What size pipework do I need?** 15mm

**What size timber stud do I need?** Minimum depth of 89mm - Installation frame is designed to fit between 400mm centre studs

**Is it suitable for brick walls?** It is recommended you use CLS size 89mm depth within the wall

**What is the size of the connections?** The valve uses 1/2" connections

**Does the valve include isolation points?** Yes