

CONTRACT TAPS



DOMESTIC



0.1-0.2 BAR



0.5-5.0 BAR

PRODUCT INFORMATION

MAYMH01CP

Contract Basin Taps - 0.1 bar

MAYMH02CP

Contract Bath Taps - 0.1 bar

RELATED PRODUCTS IN RANGE

MAYMH03CP

Contract bath filler 0.1 bar

MAYMH04CP

Contract bath shower mixer 0.1 bar

MAYMH05CP

Contract mono basin 0.1 bar

MAYMH06CP

Contract mono bidet 0.1 bar

SPECIFICATIONS

Minimum operating pressure 0.1 bar

1/4 turn ceramic disc technology

5 year guarantee

MATERIAL

Brass

COLOUR/FINISH

Chrome

APPROVALS

This product should be fitted in accordance with relevant *Water Byelaw Regulations*

FIXING

Deck mounted using back nuts provided (*do not overtighten*)

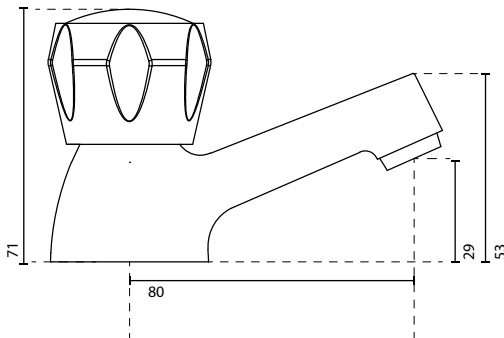
PRODUCT DIMENSIONS

Please refer to technical line drawing

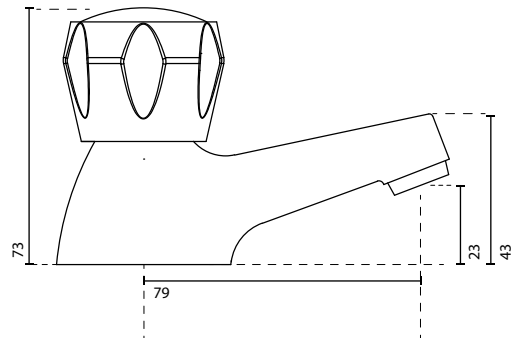
ADDITIONAL INFORMATION

Suitable for the following plumbing systems:
Gravity fed, pumped, unvented or combi systems
For a full range of brassware products please refer to www.sonasbathrooms.com

MAYMH01CP



MAYMH02CP



WARRANTY

- **5 year warranty** on taps applies to chrome finish and main body of products. All surfaces must be cleaned with warm soapy water and dried with soft clothes only. The use of abrasive cleaners or materials will render *warranty invalid*. Flexible tail connections, hoses and handsets are covered by a *1 year guarantee*.
- **Do not over tighten** flexible tail connections as this may result in later failure of the fitting.
- To enable each supply to be individually isolated product should be fitted with individual isolating valves, claims will be dealt with on that basis.
- Suitable access should be provided for in order for products or parts to be replaced under warranty. In the event that *no access* is provided, labour cost claims *cannot* be upheld.

