

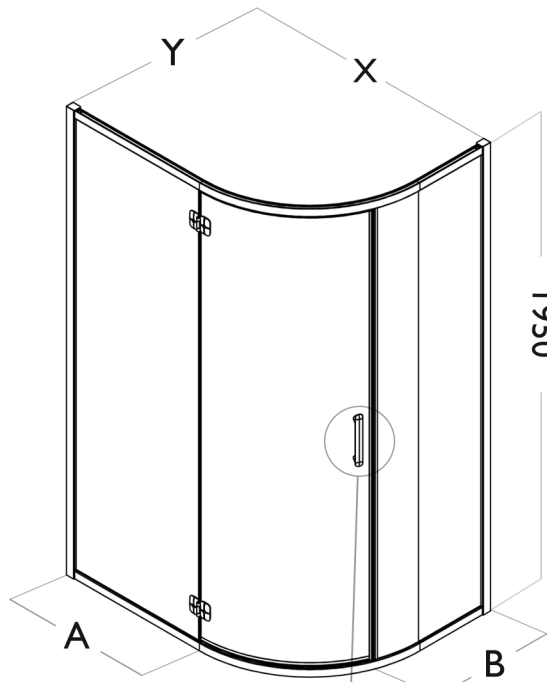
HINGED OFFSET QUADRANT



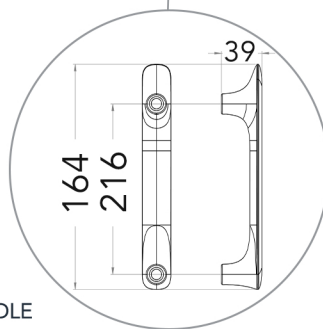
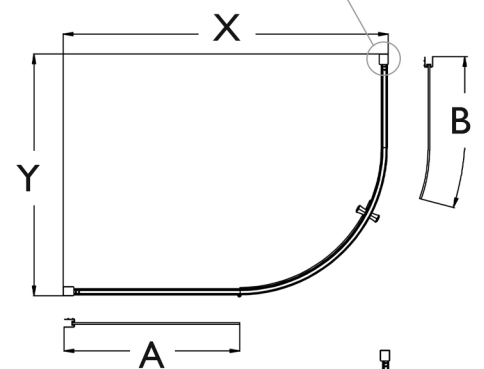
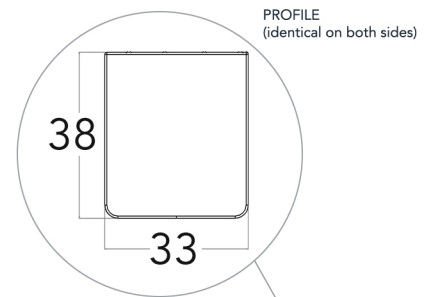
EN 14428:2015+A1:2018 (shower enclosures)
EN 12150-1:2013 (glass in building)
EN ISO7599 (anodizing of aluminium and its alloys)
6mm Toughened Safety Glass
25mm Profile Adjustment

1950mm Height
ClearVue Glass Coating
Reversible
Chrome Plated Handle
Ultra Clear PVC Seals

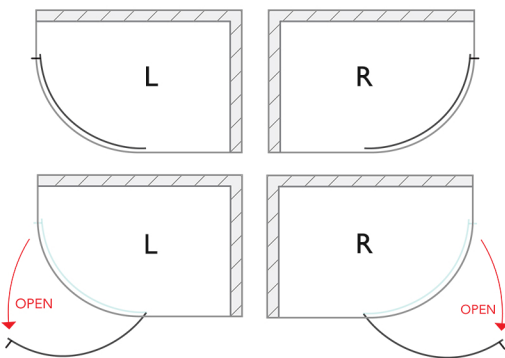
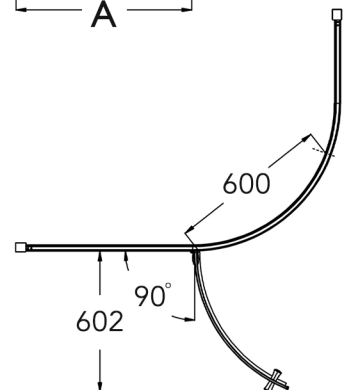
Chrome Plated ABS Cover Caps
Seamless Interior Cover Strips
25mm Wall Profile Extension Available
Shower Tray or Wetroom Installation
20 Year Guarantee Against Manufacturing Defects*



(MEASUREMENTS IN MM)



HANDLE



SPECIFICATIONS

PRODUCT SIZE	ADJUSTMENT		GLASS PANEL		EXTRUSION	ACCESS	PRODUCT WEIGHT	PRODUCT CODE		
	X (min - max)	Y (min - max)	A	B				SILVER	BRUSHED BRASS	BLACK
800 X 1200mm	770 - 795mm	1170 - 1195mm	633mm	417mm	602mm	600mm	58.00kg	ILIH-Q80X1205C	ILIH-Q80X120BRBC	ILIH-Q80X120BC
900 X 1200mm	870 - 895mm	1170 - 1195mm	633mm	517mm	602mm	600mm	61.00kg	ILIH-Q90X1205C	ILIH-Q90X120BRBC	ILIH-Q90X120BC

+353 42 966 8000 | flairshowers.com | sales@flairshowers.com

All data presented may be subjected to change without prior notice. Flair Showers does the best it can to provide accurate information. Flair Showers unfortunately cannot guarantee this, and accept no liability for any information / advice given.

* Excludes perishable items such as rollers, seals, hinges, etc.

