



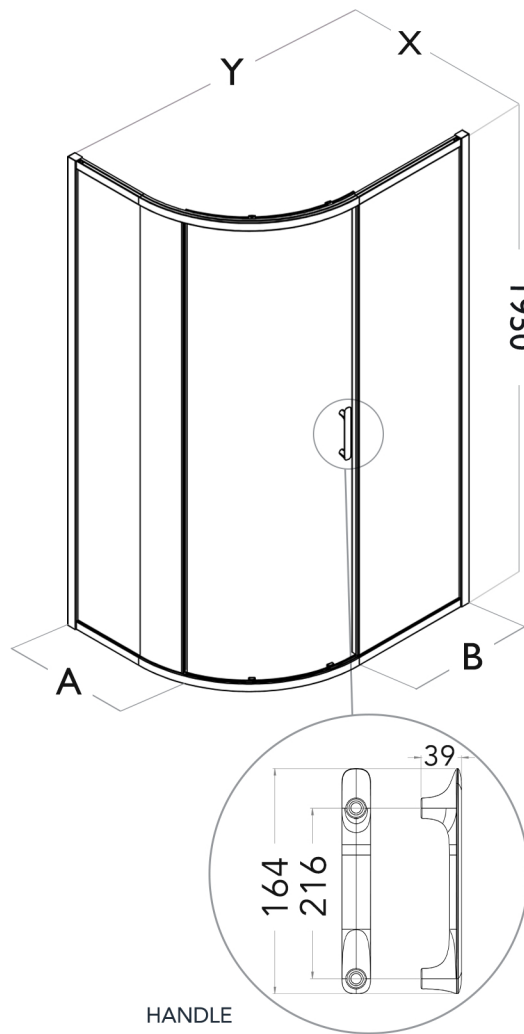
ONE DOOR SLIDING QUADRANT



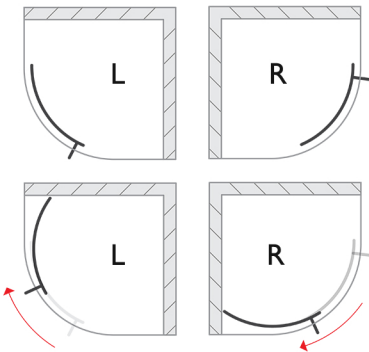
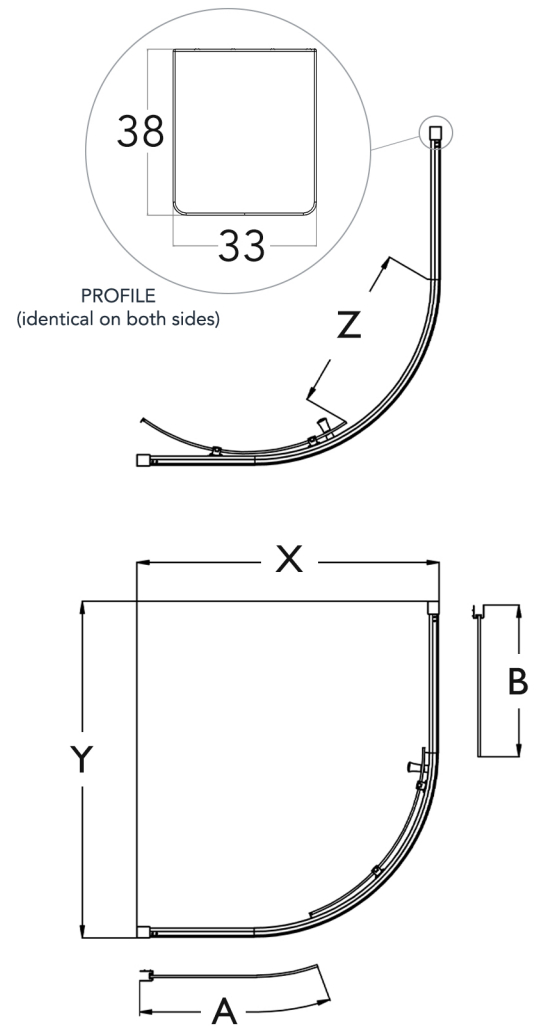
EN 14428:2015+A1:2018 (shower enclosures)
 EN 12150-1:2013 (glass in building)
 EN ISO7599 (anodizing of aluminium and its alloys)
 6mm Toughened Safety Glass
 25mm Profile Adjustment
 1950mm Height

ClearVue Glass Coating
 Reversible
 Chrome Plated Handle
 Ultra Clear PVC Seals
 Press Fit Seal Design
 Chrome Plated ABS Cover Caps

Seamless Interior Cover Strips
 25mm Wall Profile Extension Available
 Shower Tray or Wetroom Installation
 Silent Wheel Roller Mechanism
 Quick Release Double Wheel Rollers
 20 Year Guarantee Against Manufacturing Defects*



(MEASUREMENTS IN MM)



SPECIFICATIONS

PRODUCT SIZE	ADJUSTMENT		ACCESS Z	GLASS PANEL		PRODUCT WEIGHT	PRODUCT CODE		
	X (min - max)	Y (min - max)		A	B		SILVER	BRUSHED BRASS	MATTE BLACK
900mm	870 - 895mm	870 - 895mm	485mm	517mm	337mm	53.00kg	ILICOQ90SC	ILICOQ90BRBC	ILICOQ90BC

+353 42 966 8000 | flairshowers.com | sales@flairshowers.com

All data presented may be subjected to change without prior notice. Flair Showers does the best it can to provide accurate information. Flair Showers unfortunately cannot guarantee this, and accept no liability for any information / advice given.

* Excludes perishable items such as rollers, seals, hinges, etc.

