

PIVOT DOOR

EN 14428:2015+A1:2018 (shower enclosures)

EN 12150-1:2013 (glass in building)

EN ISO7599 (anodizing of aluminium and its alloys)

6mm Toughened Safety Glass

1850mm Height

Chrome Plated Handle

50mm Profile Adjustment

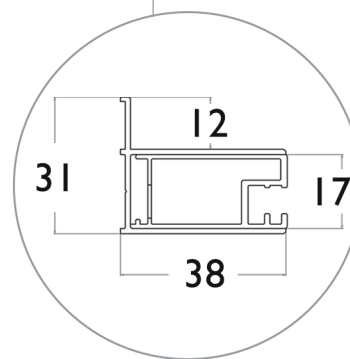
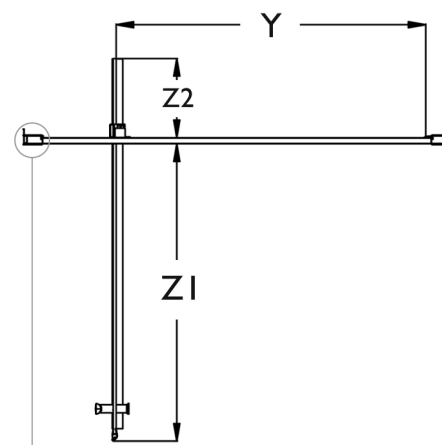
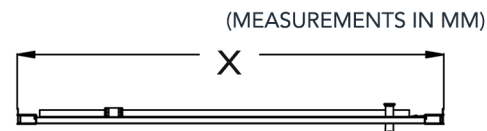
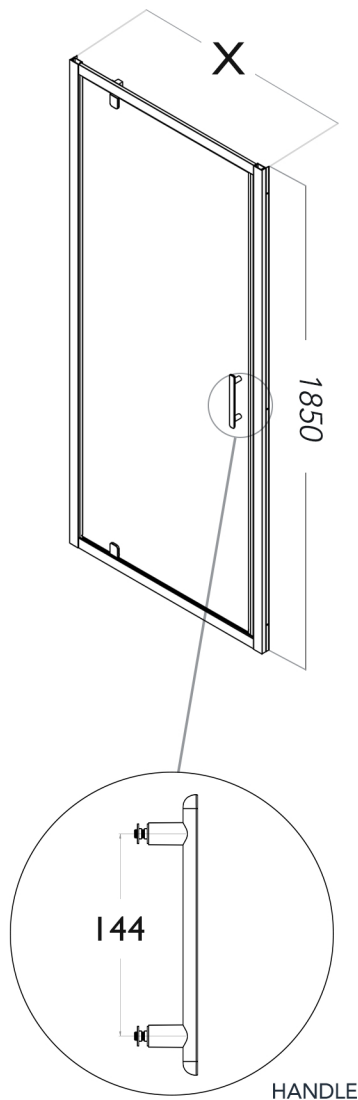
Positive Magnetic Close Action

ClearVue Glass Coating

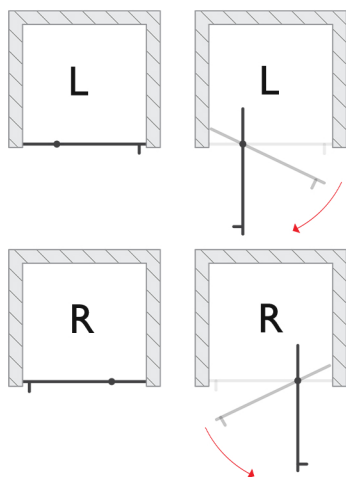
Quality Engineered Hinge

Reversible

10 Year Guarantee Against Manufacturing Defects*



PROFILE
(identical on both ends)



SPECIFICATIONS

PRODUCT SIZE	ADJUSTMENT X (min - max)	DOOR ACCESS Y	EXTRUSION Z1	INTRUSION Z2	PRODUCT WEIGHT	PRODUCT CODE SILVER
760mm	710 - 760mm	477mm	452mm	158mm	22.50kg	HYPD76SC
800mm	750 - 800mm	517mm	492mm	158mm	24.00kg	HYPD80SC
900mm	850 - 900mm	617mm	592mm	158mm	27.00kg	HYPD90SC

+353 42 966 8000 | flairshowers.com | sales@flairshowers.com

All data presented may be subjected to change without prior notice. Flair Showers does the best it can to provide accurate information. Flair Showers unfortunately cannot guarantee this, and accept no liability for any information / advice given.

* Excludes perishable items such as rollers, seals, hinges, etc.

