

## TWO DOOR OFFSET QUADRANT

EN 14428:2015+A1:2018 (shower enclosures)

EN 12150-1:2013 (glass in building)

EN ISO7599 (anodizing of aluminium and its alloys)

25mm Profile Adjustment

6mm Toughened Safety Glass

1850mm Height

Chrome Plated ABS Handle

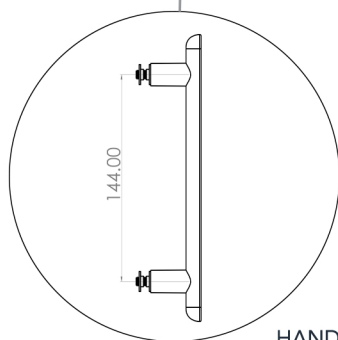
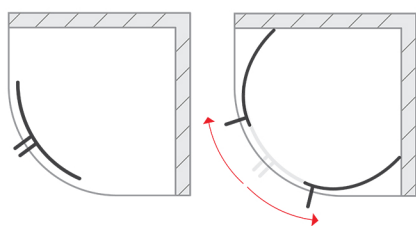
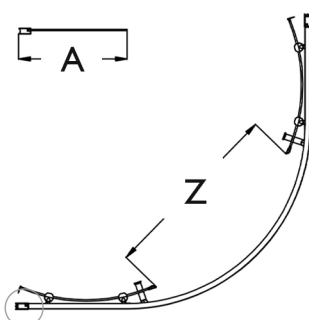
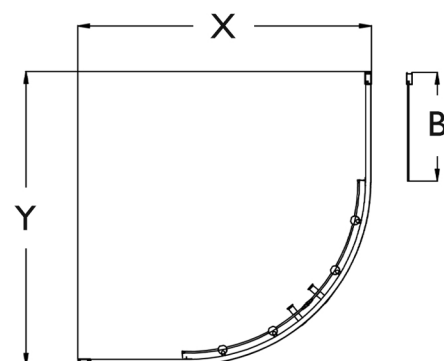
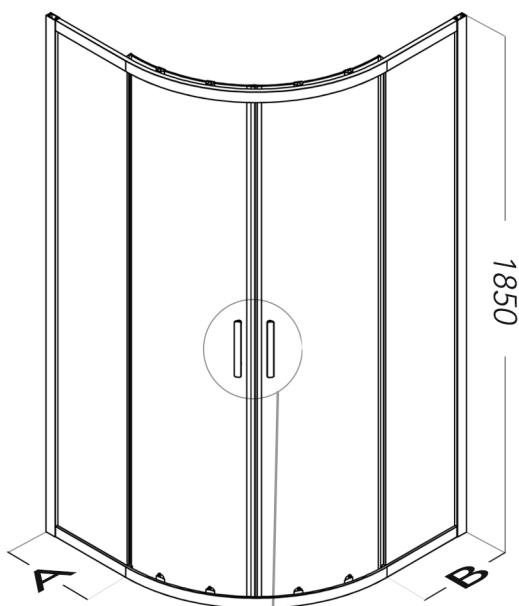
ClearVue Glass Coating

Reversible

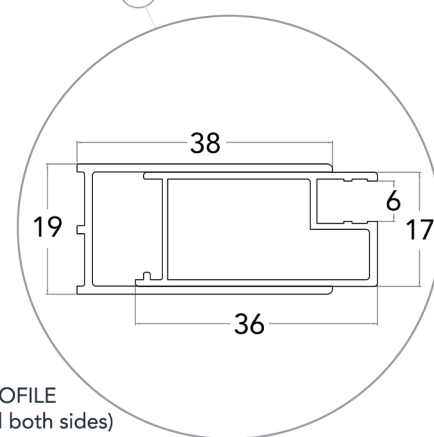
Quick Release Single Wheel Rollers

Positive Magnetic Close Action

10 Year Guarantee Against Manufacturing Defects\*



HANDLE



PROFILE  
(Identical both sides)

## SPECIFICATIONS

PRODUCT SIZE	ADJUSTMENT		DOOR ACCESS Z	GLASS PANEL		PRODUCT WEIGHT	PRODUCT CODE SILVER
	X (min - max)	Y (min - max)		A	B		
800 X 1000mm	770 - 795mm	970 - 995mm	475mm	223mm	223mm	36.00kg	HYCQ80X100SC
800 X 1200mm	770 - 795mm	1170 - 1195mm	475mm	223mm	223mm	43.50kg	HYCQ80X120SC
900 X 1200mm	870 - 895mm	1170 - 1195mm	545mm	323mm	323mm	45.50kg	HYCQ90X120SC

+353 42 966 8000 | [flairshowers.com](http://flairshowers.com) | [sales@flairshowers.com](mailto:sales@flairshowers.com)

All data presented may be subjected to change without prior notice. Flair Showers does the best it can to provide accurate information. Flair Showers unfortunately cannot guarantee this, and accept no liability for any information / advice given.

\* Excludes perishable items such as rollers, seals, hinges, etc.

