

CORNER ENTRY

EN 14428:2015+A1:2018 (shower enclosures)

EN 12150-1:2013 (glass in building)

EN ISO7599 (anodizing of aluminium and its alloys)

5mm Toughened Safety Glass (Moving Glass)

4mm Toughened Safety Glass (Fixed Glass)

1850mm Height

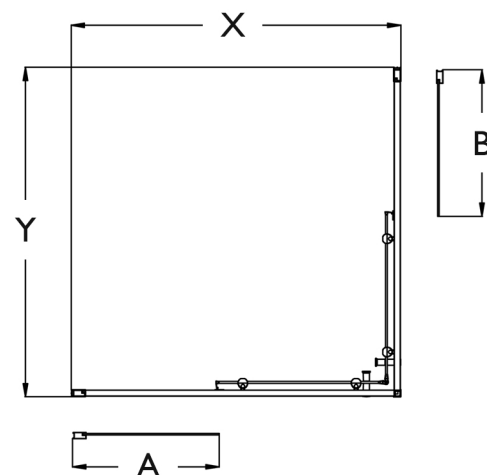
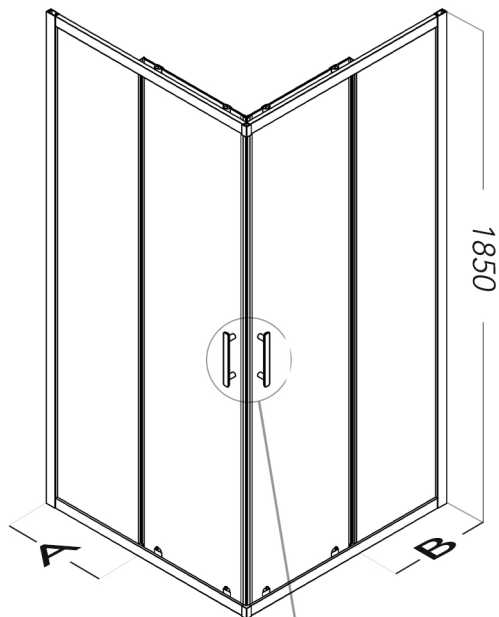
25mm Profile Adjustment

Minimalist Chrome Profiles and Handle

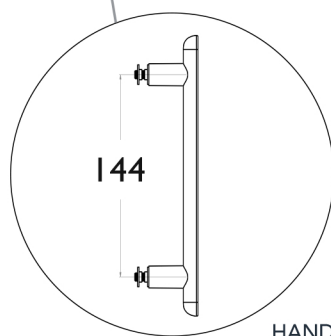
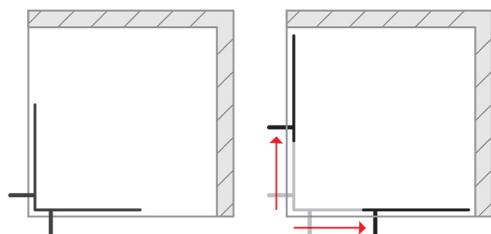
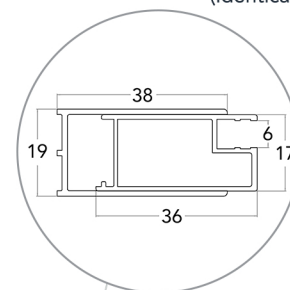
ClearVue Glass Coating

Quick Release Double Wheel Rollers

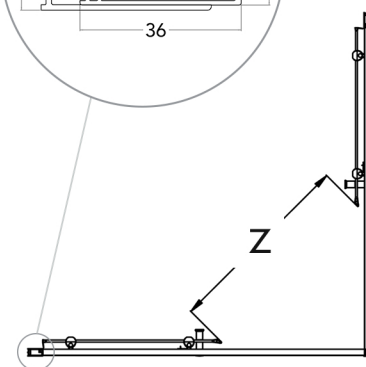
10 Year Guarantee Against Manufacturing Defects*



PROFILE
(Identical on both sides)



HANDLE



SPECIFICATIONS

PRODUCT SIZE	ADJUSTMENT X = Y (min - max)	DOOR ACCESS Z	GLASS PANEL		PRODUCT WEIGHT	PRODUCT CODE SILVER
			A	B		
760mm	730 - 755mm	387mm	322mm	322mm	33.50kg	HYCE76SC
800mm	770 - 795mm	415mm	337mm	337mm	33.50kg	HYCE80SC
900mm	870 - 895mm	486mm	387mm	387mm	40.00kg	HYCE90SC

+353 42 966 8000 | flairshowers.com | sales@flairshowers.com

All data presented may be subjected to change without prior notice. Flair Showers does the best it can to provide accurate information. Flair Showers unfortunately cannot guarantee this, and accept no liability for any information / advice given.

* Excludes perishable items such as rollers, seals, hinges, etc.

