

CORNER PIVOT DOOR + OFFSET PIVOT DOOR

EN 14428:2015+A1:2018 (shower enclosures)

EN 12150-1:2013 (glass in building)

6mm Toughened Safety Glass

25mm Product Adjustment

1950mm Height

25mm Wall Profile Extension Available

Inward and Outward Opening

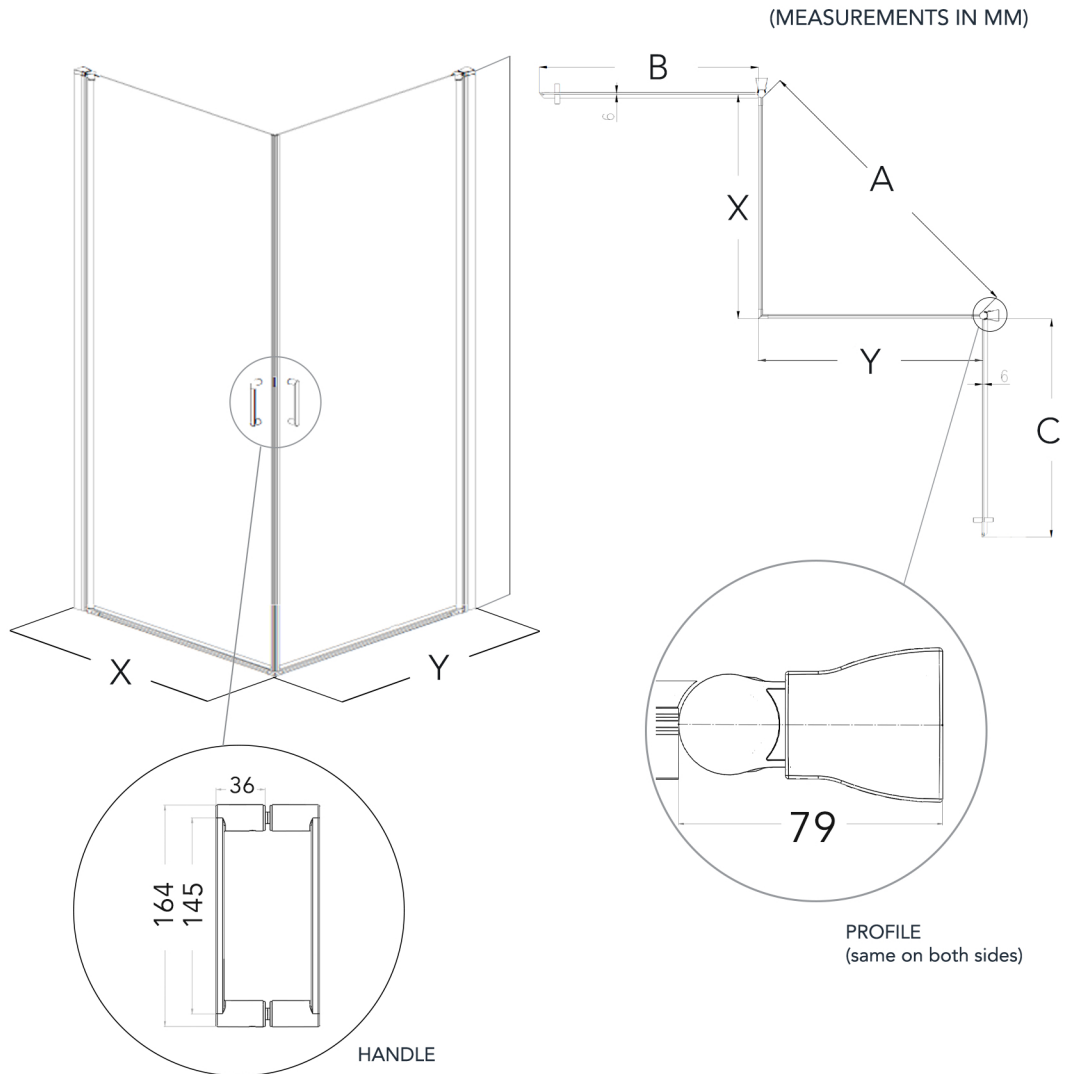
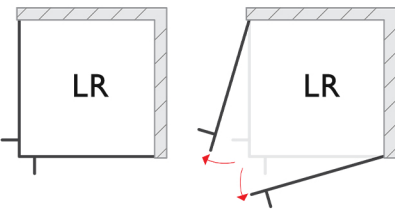
Easy Access Solution

Suitable Inline Panel Installation

Reversible for Left or Right Handed Installation

Suitable for Wetroom or Shower Tray Installation

20 Year Guarantee Against Manufacturing Defects*



SPECIFICATIONS

PRODUCT SIZE	ADJUSTMENT		DOOR ACCESS A	EXTRUSION		PRODUCT WEIGHT	PRODUCT CODE SILVER
	X (min - max)	Y (min - max)		B	C		
800mm	765 - 790mm	765 - 790mm	935mm	691mm	691mm	53.00kg	FFCPD80SC
900mm	865 - 890mm	865 - 890mm	1076mm	791mm	791mm	59.00kg	FFCPD90SC
1000mm	965 - 990mm	965 - 990mm	1217mm	891mm	891mm	65.00kg	FFCPD100SC
1000X800mm	965 - 990mm	765 - 790mm	1085mm	891mm	691mm	61.00kg	FFCPD100X80SC
1200X800mm	1165 - 1190mm	765 - 790mm	1085mm	872mm	672mm	70.00kg	FFCPD120X80SC
1200X900mm	1165 - 1190mm	865 - 890mm	1148mm	872mm	772mm	73.00kg	FFCPD120X90SC

+353 42 966 8000 | flairshowers.com | sales@flairshowers.com

All data presented may be subjected to change without prior notice. Flair Showers does the best it can to provide accurate information. Flair Showers unfortunately cannot guarantee this, and accept no liability for any information / advice given.

* Excludes perishable items such as rollers, seals, hinges, etc.

