

**CARYS CONCEALED THERMOSTATIC SHOWER VALVE**



ETCAR0001



DOMESTIC



HOTEL & LEISURE

**PRODUCT INFORMATION**

ETCAR0001

Carys dual control concealed thermostatic shower valve

**SPECIFICATIONS**

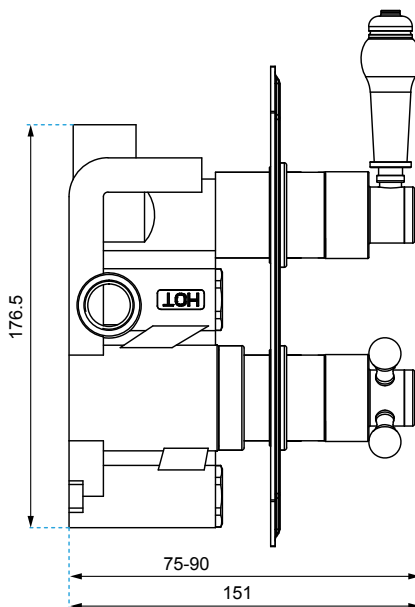
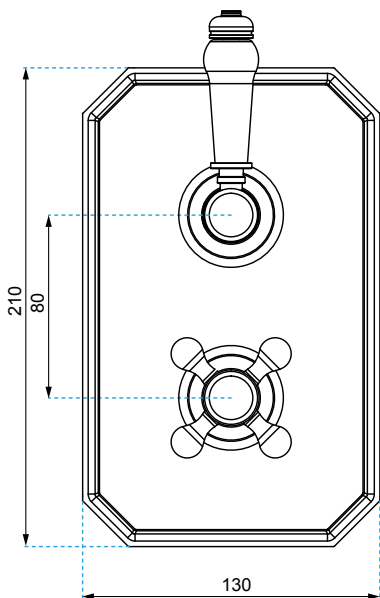
Minimum inlet pressure 1 bar  
Maximum inlet pressure 10.0 bar  
Max inlet temperature 65°C

**MATERIAL**  
**COLOUR/FINISH**  
**APPROVALS**

Brass  
Chrome  
This product should be fitted in accordance with relevant *Water Byelaw Regulations*

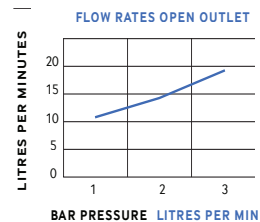
**FIXING**  
**PRODUCT DIMENSIONS**  
**ADDITIONAL INFORMATION**

Frame to hold plaster board and secure anchor for pipe  
Please refer to technical line drawing  
Suitable for the following plumbing systems:  
Gravity fed, pumped, unvented or combi systems.  
For a full range of brassware products please refer to [www.sonasbathrooms.com](http://www.sonasbathrooms.com)



**OPEN OUTLET**

BAR	LITRES PER MIN
1	11
2	14.4
3	19



**WARRANTY**

- **5 year** warranty on taps applies to chrome finish and main body of products. All surfaces must be cleaned with warm soapy water and dried with soft cloths only. The use of abrasive cleaners or materials will render warranty invalid. Flexible tail connections, hoses, handsets and faucets are covered by a 2 year guarantee.
- **Do not over tighten flexible tail** connections as this may result in later failure of the fitting.
- To enable each supply to be individually isolated product should be fitted with individual isolating valves, claims will be dealt with on that basis.
- Suitable access should be provided for in order for products or parts to be replaced under warranty. In the event that no access is provided, labour cost claims cannot be upheld.