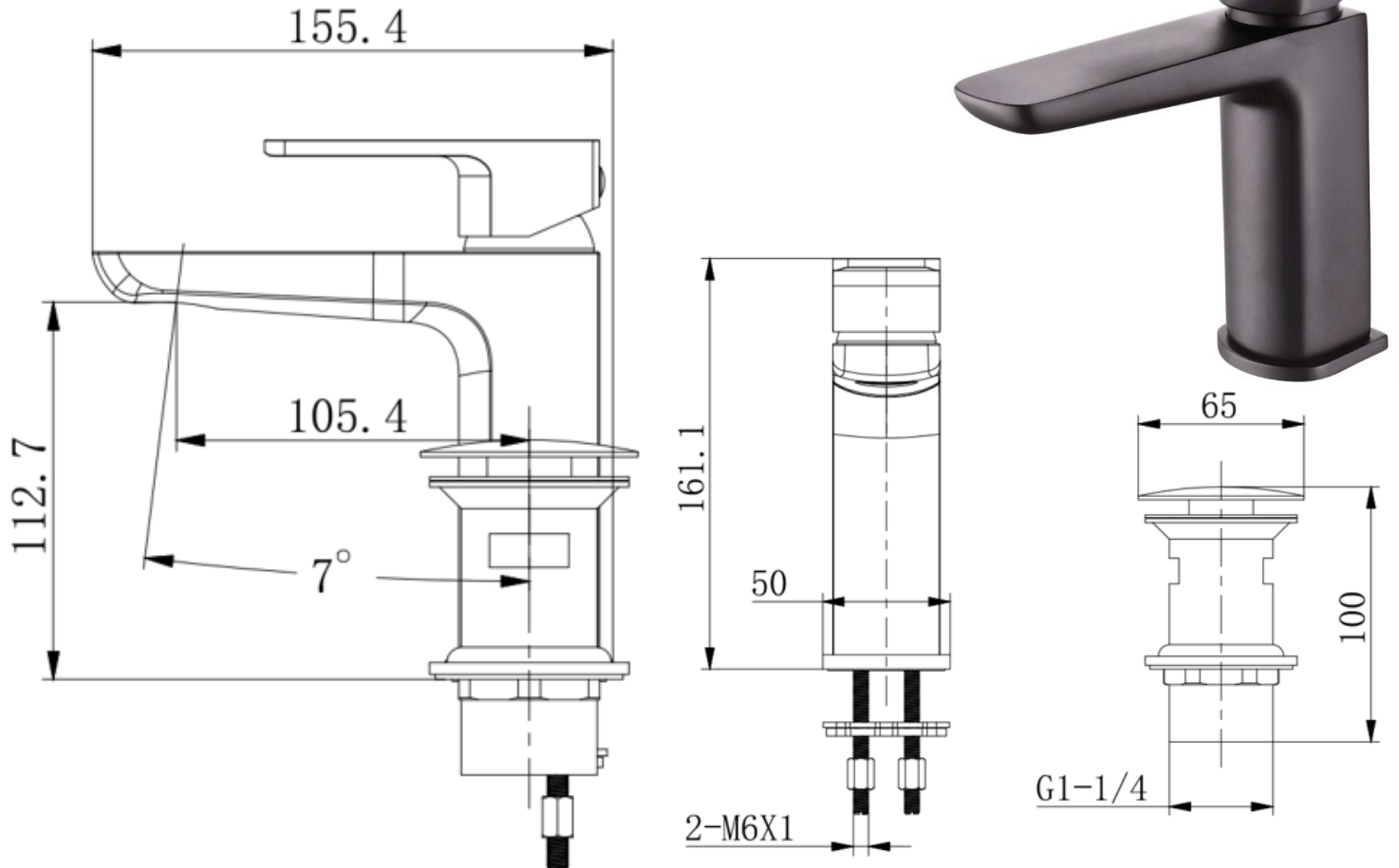


## Technical Data Information

Saldo Gunmetal Grey Mono Basin Mixer inc. waste  
AVHD05MG

# R.T. LARGE

ESTABLISHED 1969



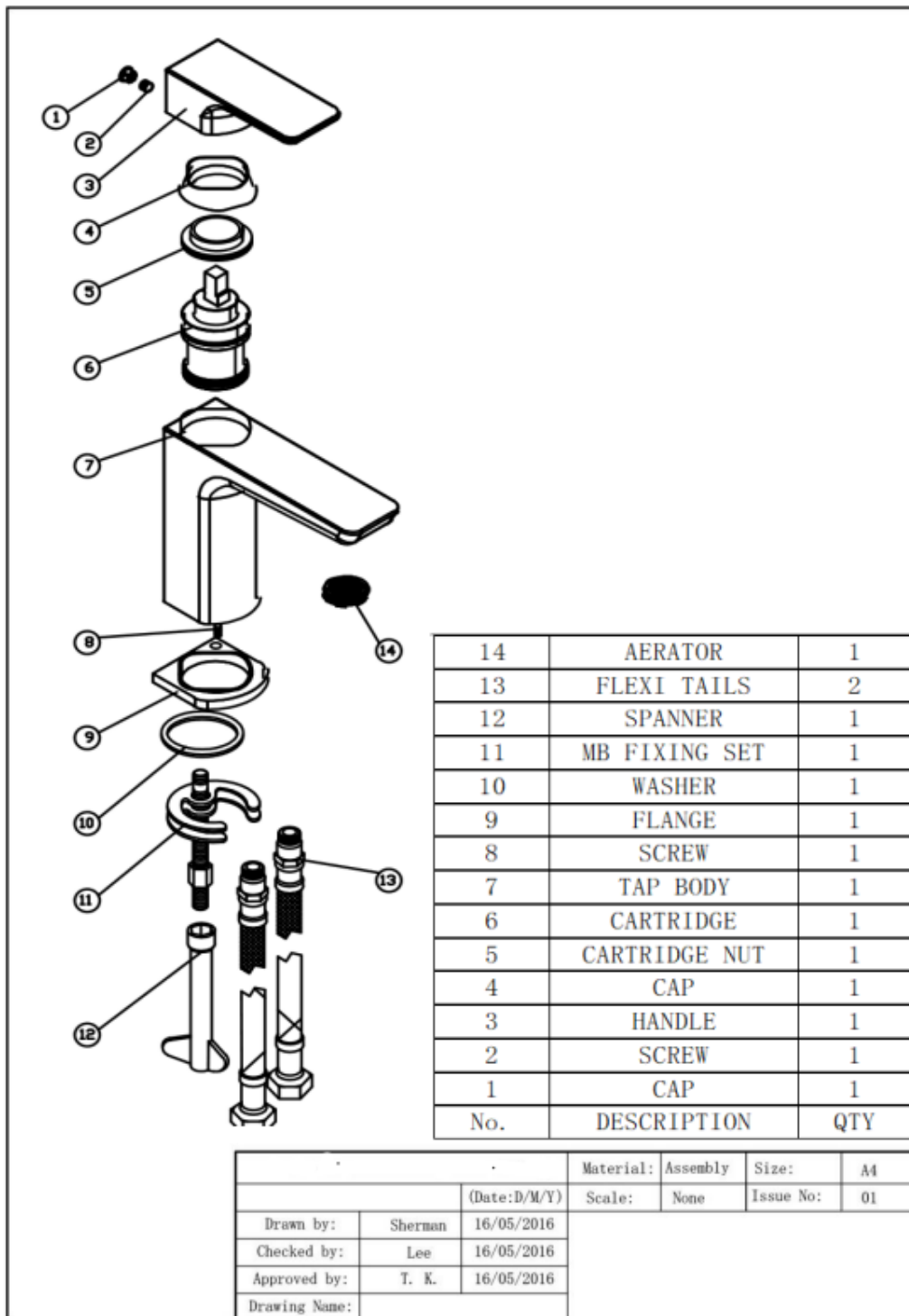
## INFORMATION

<b>Construction</b>	Brass body, Handle: Zinc Alloy
<b>Finishes</b>	Gunmetal/ PVD Finish
<b>Product Type</b>	Contemporary
<b>Water Pressure</b>	Min. 0.2 bar, Max. 6.0 bar
<b>Plumbing Systems</b>	Suitable for all plumbing systems
<b>Standards</b>	Complies with BS6920, BS EN200
<b>Certification</b>	-
<b>Cartridge</b>	35mm Ceramic Disc Cartridge
<b>Fitting</b>	UK: M10 x 350mm 1/2" BSP Female Flexi Tails . EU: M10x350mm 3/8" BSP Female Flexi Tails.
<b>Aerator</b>	Neoperl aerator
<b>Packaging</b>	35.5 x 26.5 x 42cm / carton (10 boxes / carton); Box size: 25.5x17x8cm; Weight: 1.65kg/box
<b>Guarantee</b>	5 years against manufacturing faults (excluding serviceable parts).
<b>Additional Information</b>	Supplied with G 1 1/4" slotted sprung waste(UK only)

All Dimensions are in millimetres. The information contained on this page was correct at date of issue. Fitting dimensions are provided as a guide only. Some variation may occur due to manufacturing tolerances. We pursue a policy of continuing improvement in design and performance of our products and so reserve the right to change specifications without prior notice.

# R.T. LARGE

ESTABLISHED 1969



## Flow Rates (Litres per minute)

System Pressure	0.1 Bar	0.2 Bar	0.3 Bar	0.5 Bar	1.0 Bar	1.5 Bar	2.0 Bar	3.0 Bar	4.0 Bar	5.0 Bar
	4.3	5.7	-	9.0	12.5	15.1	17.5	21.2	-	-

All Dimensions are in millimetres. The information contained on this page was correct at date of issue. Fitting dimensions are provided as a guide only. Some variation may occur due to manufacturing tolerances. We pursue a policy of continuing improvement in design and performance of our products and so reserve the right to change specifications without prior notice.