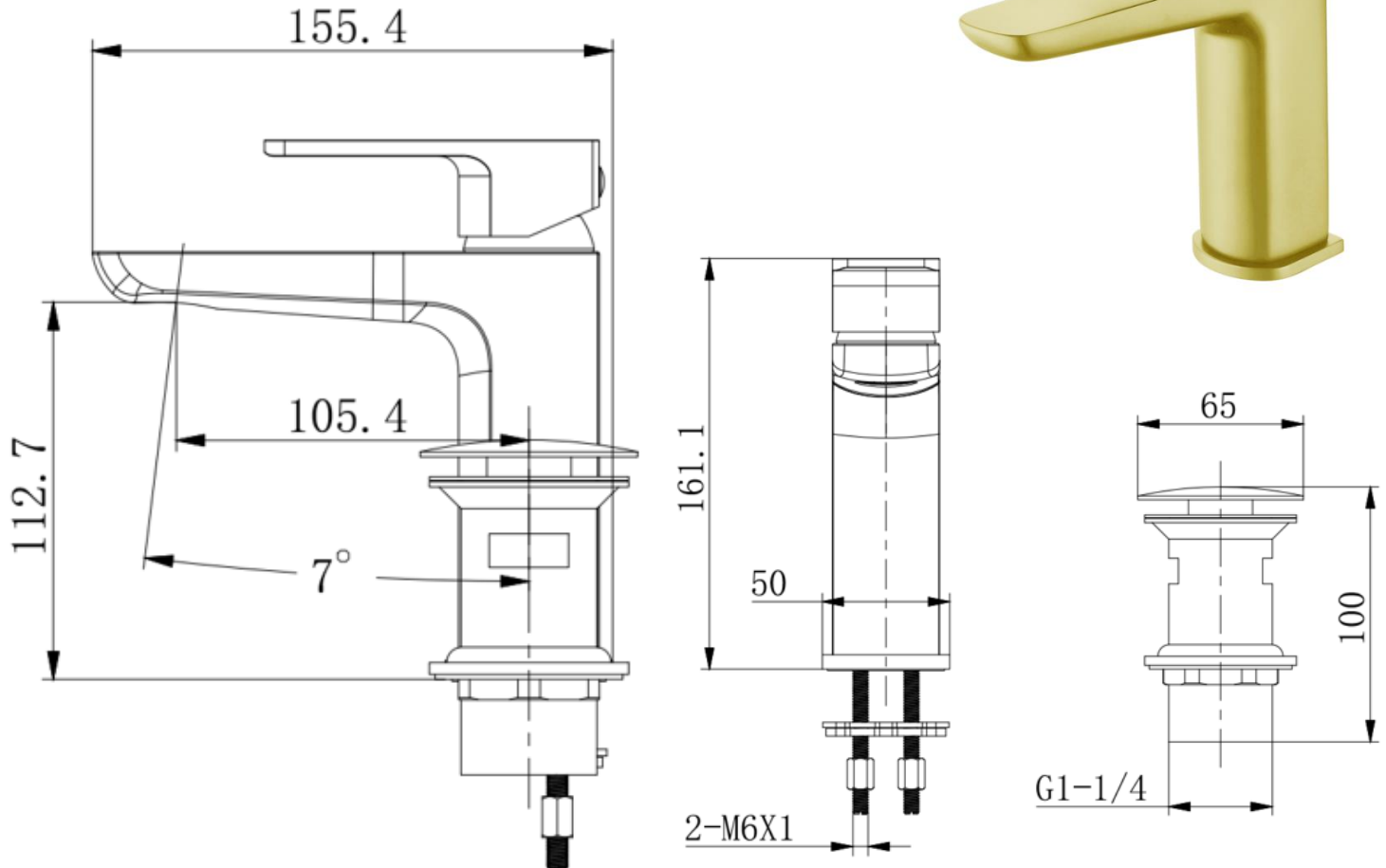


Technical Data Information

Saldo Brushed Brass Mono Basin Mixer inc. waste
AVHD05BB

R.T. LARGE



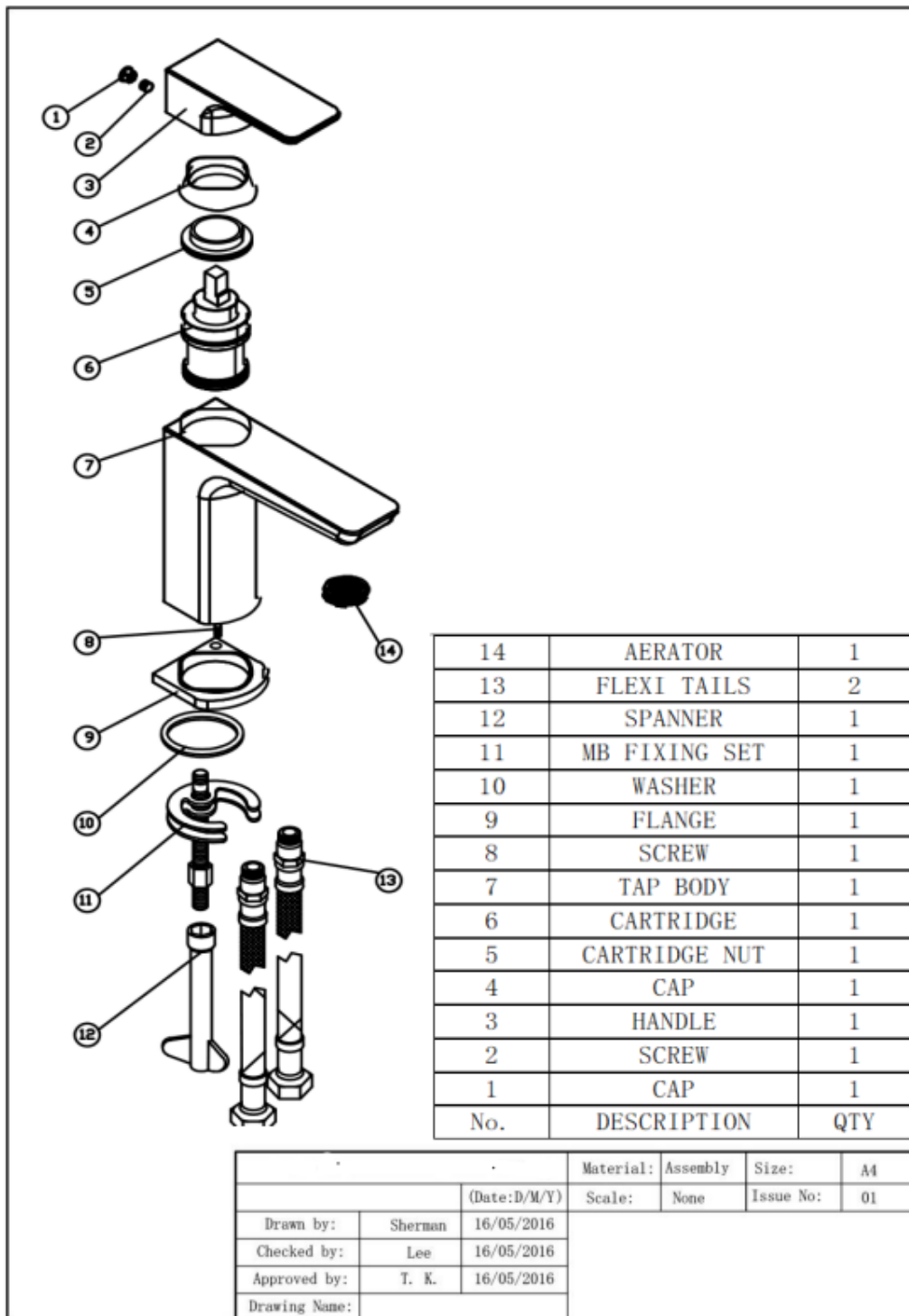
INFORMATION

Construction	Brass body, Handle: Zinc Alloy
Finishes	Brushed Brass/ PVD Finish
Product Type	Contemporary
Water Pressure	Min. 0.2 bar, Max. 6.0 bar
Plumbing Systems	Suitable for all plumbing systems
Standards	Complies with BS6920, BS EN200
Certification	-
Cartridge	35mm Ceramic Disc Cartridge
Fitting	UK: M10 x 350mm 1/2" BSP Female Flexi Tails . EU: M10x350mm 3/8" BSP Female Flexi Tails.
Aerator	Neoperl aerator
Packaging	35.5 x 26.5 x 42cm / carton (10 boxes / carton); Box size: 25.5x17x8cm; Weight: 1.65kg/box
Guarantee	5 years against manufacturing faults (excluding serviceable parts).
Additional Information	Supplied with G 1 1/4" slotted sprung waste(UK only)

All Dimensions are in millimetres. The information contained on this page was correct at date of issue. Fitting dimensions are provided as a guide only. Some variation may occur due to manufacturing tolerances. We pursue a policy of continuing improvement in design and performance of our products and so reserve the right to change specifications without prior notice.

R.T. LARGE

ESTABLISHED 1969



Flow Rates (Litres per minute)

System Pressure	0.1 Bar	0.2 Bar	0.3 Bar	0.5 Bar	1.0 Bar	1.5 Bar	2.0 Bar	3.0 Bar	4.0 Bar	5.0 Bar
	4.3	5.7	-	9.0	12.5	15.1	17.5	21.2	-	-

All Dimensions are in millimetres. The information contained on this page was correct at date of issue. Fitting dimensions are provided as a guide only. Some variation may occur due to manufacturing tolerances. We pursue a policy of continuing improvement in design and performance of our products and so reserve the right to change specifications without prior notice.