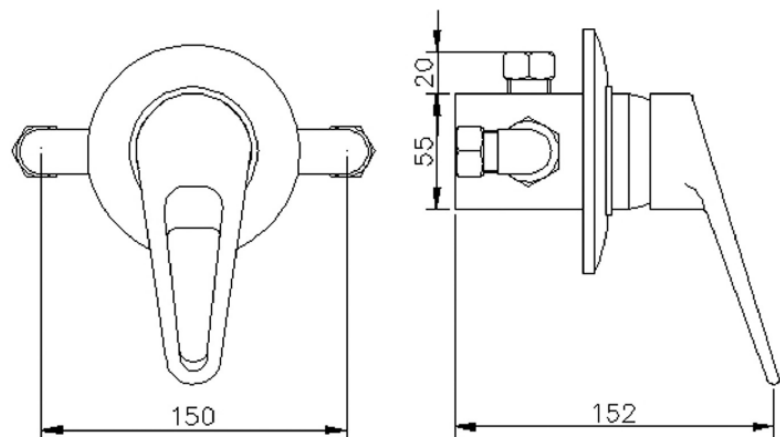


Technical Data Information

Product Code: UA3200

Information: Ocean Manual Valve
Colour/Finish: Chrome
Easy Clean: N/A
Operating Pressure: 0.2 bar
Pipe Size: 15mm (1/2" Bsp)

Overall Dimensions: H: 90 D: 152 x W: 150



All Dimensions are in millimetres. The information contained on this page was correct at date of issue. Fitting dimensions are provided as a guide only. Some variation may occur due to manufacturing tolerances. We pursue a policy of continuing improvement in design and performance of our products and so reserve the right to change specifications without prior notice.