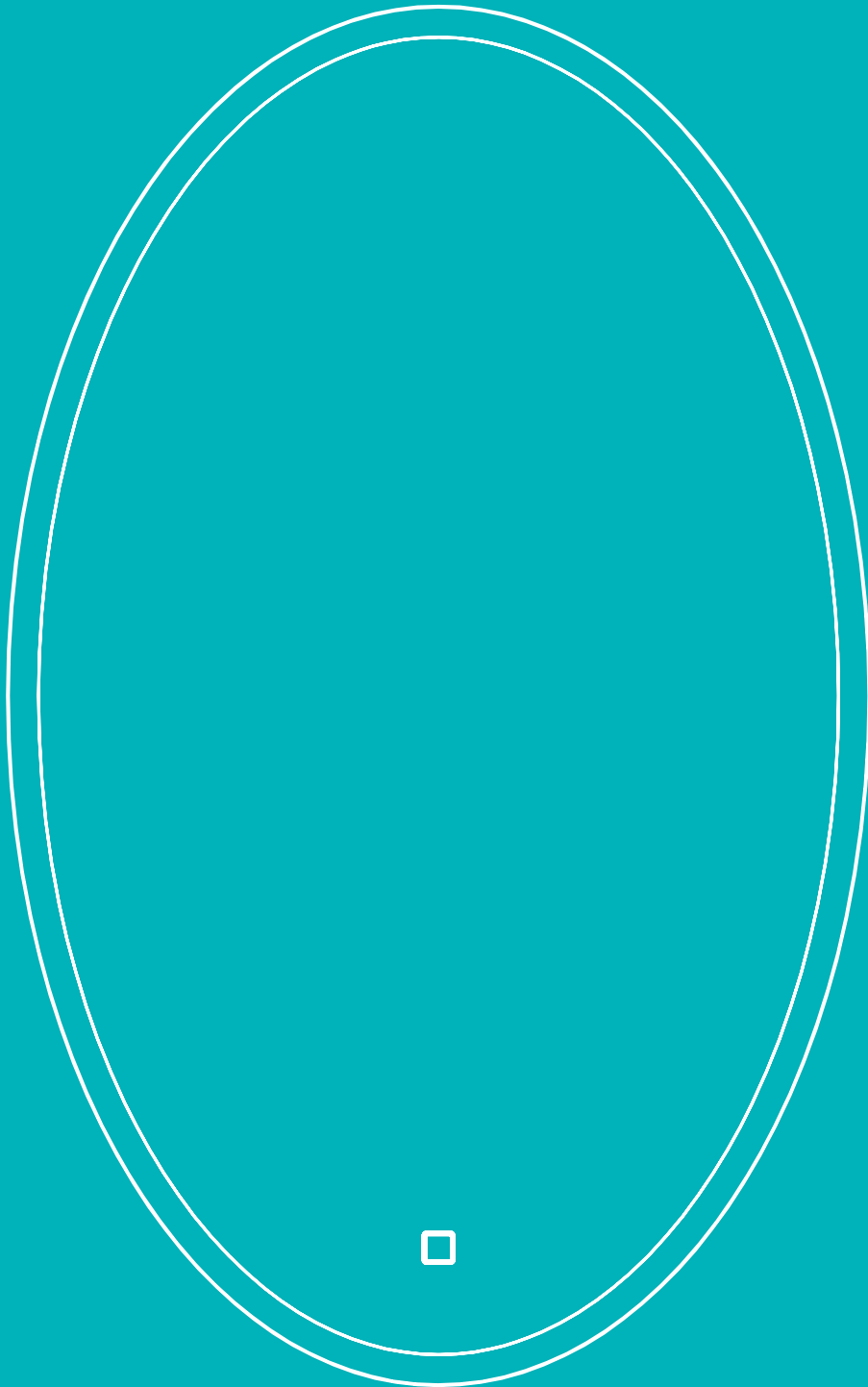


HiB

MAKING
BATHROOMS
BEAUTIFUL

**Technical Drawing &
FAQ Data Sheets**

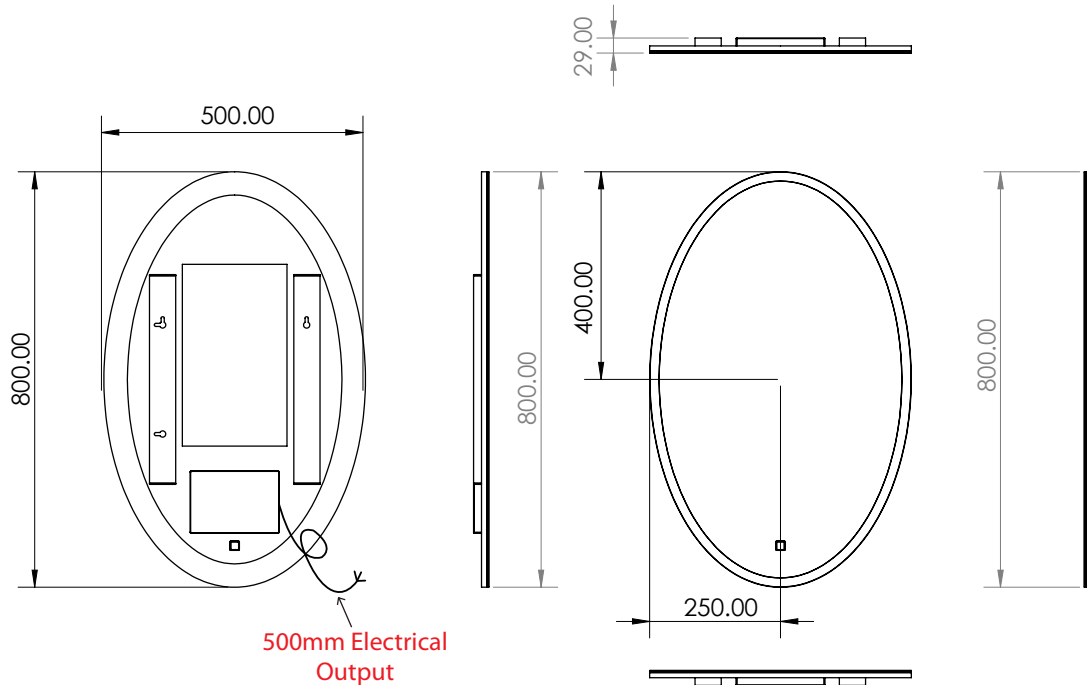


**Arena 80
Arena 120**

HiB recommend you receive the product before commencing with installation as all sizes and measurements are approximate.
 HiB try and ensure all measurements are as accurate as possible.
 In the interest of continuous product development, HiB reserves the right to alter specification as necessary. E & OE.

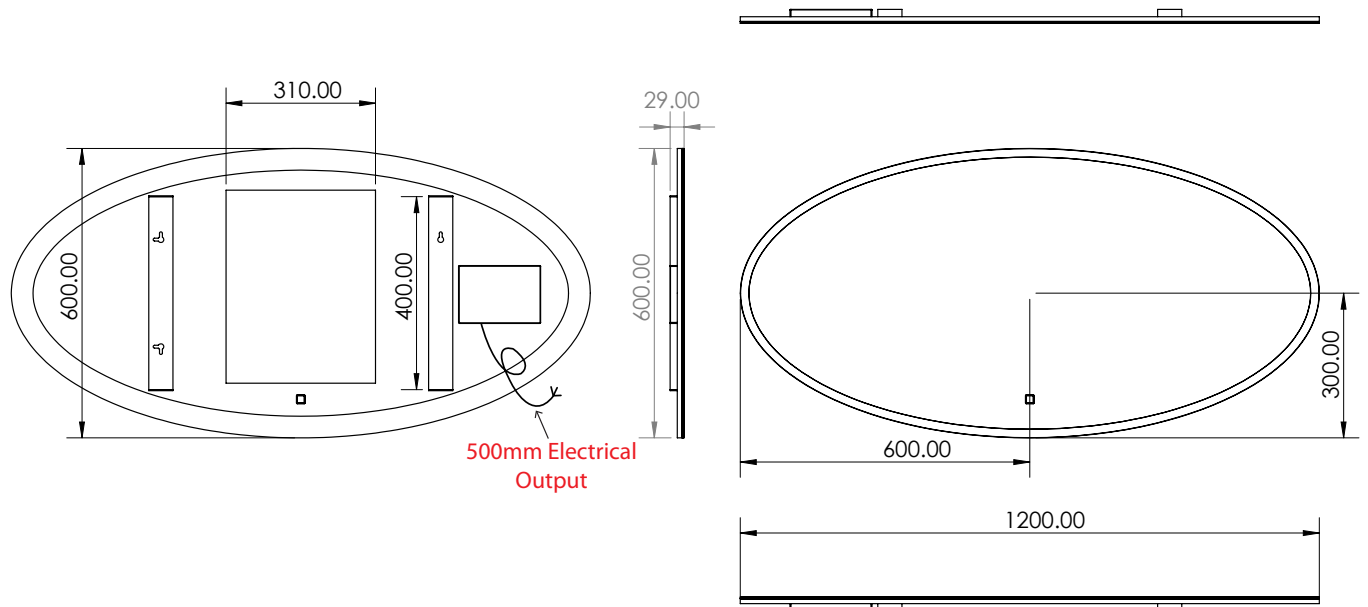
Arena 80

Art no. 79530800



Arena 120

Art no. 79531200



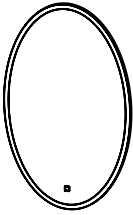
Electrical Safety Information

HiB recommends that all electrical bathroom products should only be fitted by a suitably qualified, Part P registered electrician in accordance with current IEE regulations.

- Ensure mains power supply is switched off before starting installation.
- Before drilling, ensure there are no hidden cables or pipes in the wall.

Arena

80 & 120 mirror

		Version No. 04.10.21
	Product	Arena 80, Arena 120
	Art. No.	Arena 80: 79530800, Arena 120: 79531200
	Product Description	Mirror with direct frontal illumination

Question	Answer
Nett weight (kg)	Arena 80: 9.1kg / Arena 120: 13.3kg
Light Source	LED
Light Source Average Lifespan	Average: 20,000 hr
Total Rated Wattage (W)	Arena 80: 29.4w / Arena 120: 47.2w
Lumens (Lm)	Arena 80: 2052lm / Areen 120: 2916lm
Kelvins (k)	Arena 80: 2700-6500k / Arena 120: 2700-6500k
Is the mirror dimmable?	No
Energy Rating	E
What orientation can the mirror be hung in?	Arena 80 PORTRAIT / LANDSCAPE, Arena 120 PORTRAIT
Is the heated pad only on when the mirror is illuminated?	Yes
Does the mirror require an earth connection?	Yes
Can I bypass the sensor so the mirror comes on with the main room light?	No
Is it cool white or warm white illumination?	Both, the mirror is colour temperature changing
How long is the warranty?	5 years from date of purchase on silvering coating on mirror 2 years from date of purchase on electrical components in the mirror

Electrical Safety Information

HiB recommends that all electrical bathroom products should only be fitted by a suitably qualified, Part P registered electrician in accordance with current IEE regulations.

Ensure mains power supply is switched off before starting installation.

Before drilling, ensure there are no hidden cables or pipes in the wall.

HiB recommend you receive the product before commencing with installation as all sizes and measurements are approximate.

HiB try and ensure all measurements are as accurate as possible.

In the interest of continuous product development, HiB reserves the right to alter specification as necessary. E & OE.